

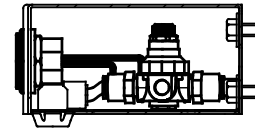
NOTES:

- 2RKHO.P AND 2RKHO.H RETROFIT KITS ALLOW THE FOLLOWING INDOOR FOUNTAINS TO BE CONVERTED FROM A HAWS 5874 PUSH BUTTON VALVE TO HANDS-OFF (TOUCHLESS) OPERATION:
1001, 1001HPS, 1001HPSMS, 1001MS, 1011, 1011HPS, 1011HPSMS, 1011MS, 1025, 1025G, 1047, 1105, 1107L, 1109, 1109.14, 1117L, 1117LN, 1119, 1119.14
H1001.8, H1001.8HPS, H1011.8, H1011.8HO, H1011.8HPS, H1107.8, H1109.8, H1117.8, H1119.8
1920, 1920HPS, 1920W
1311, 1409, 1430, 1431, 1435, 1441, 1501

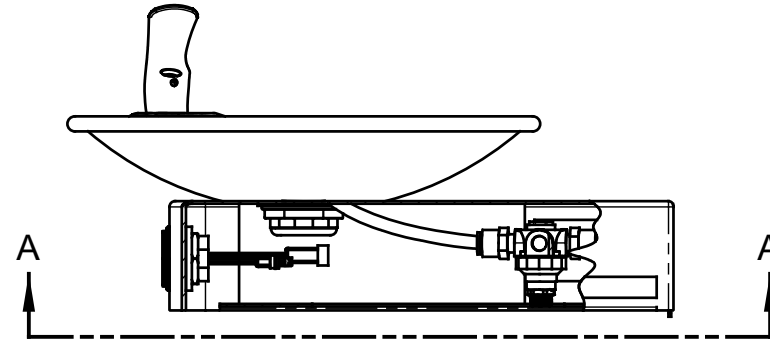
FOUNTAINS (NOT SUPPLIED) MAY BE MOUNTED ON THE EXTERNAL WALL OF A BUILDING PROVIDED THE TRANSFORMER SHALL BE MOUNTED INSIDE THE WALL AND PROTECTED FROM WATER AS SHOWN IN THIS INSTALLATION PER NEC/CEC AND LOCAL CODE.

- RETROFIT KIT MODEL:
2RKHO.P: INDOOR HO RETRO-FIT KIT (INCLUDES 2X HO SENSOR WITH MOUNTING HARDWARE, 2X SOLENOID VALVE, 2X REGULATOR, SPLITTER, AND 100-240V PLUG-IN TRANSFORMER - SEE SHEET 2).
2RKHO.H: INDOOR HO RETRO-FIT KIT (INCLUDES 2X HO SENSOR WITH MOUNTING HARDWARE, 2X SOLENOID VALVE, 2X REGULATOR, SPLITTER, AND 100-277V HARDWIRE TRANSFORMER - SEE SHEET 3).
- 2RKHO.P REQUIRES 100-240VAC POWER CONNECTION. 2RKHO.H REQUIRES 100-277V POWER CONNECTION.
- TRANSFORMERS MUST BE MOUNTED SUCH THAT THEY ARE PROTECTED FROM WATER.
- 2RKHO.P TRANSFORMER IS COMPATIBLE WITH TYPE A AND TYPE B NORTH AMERICAN ELECTRICAL OUTLETS. FOR OTHER RECEPTACLE TYPES, AN ADAPTER (NOT SUPPLIED) MUST BE PROVIDED BY OTHERS.

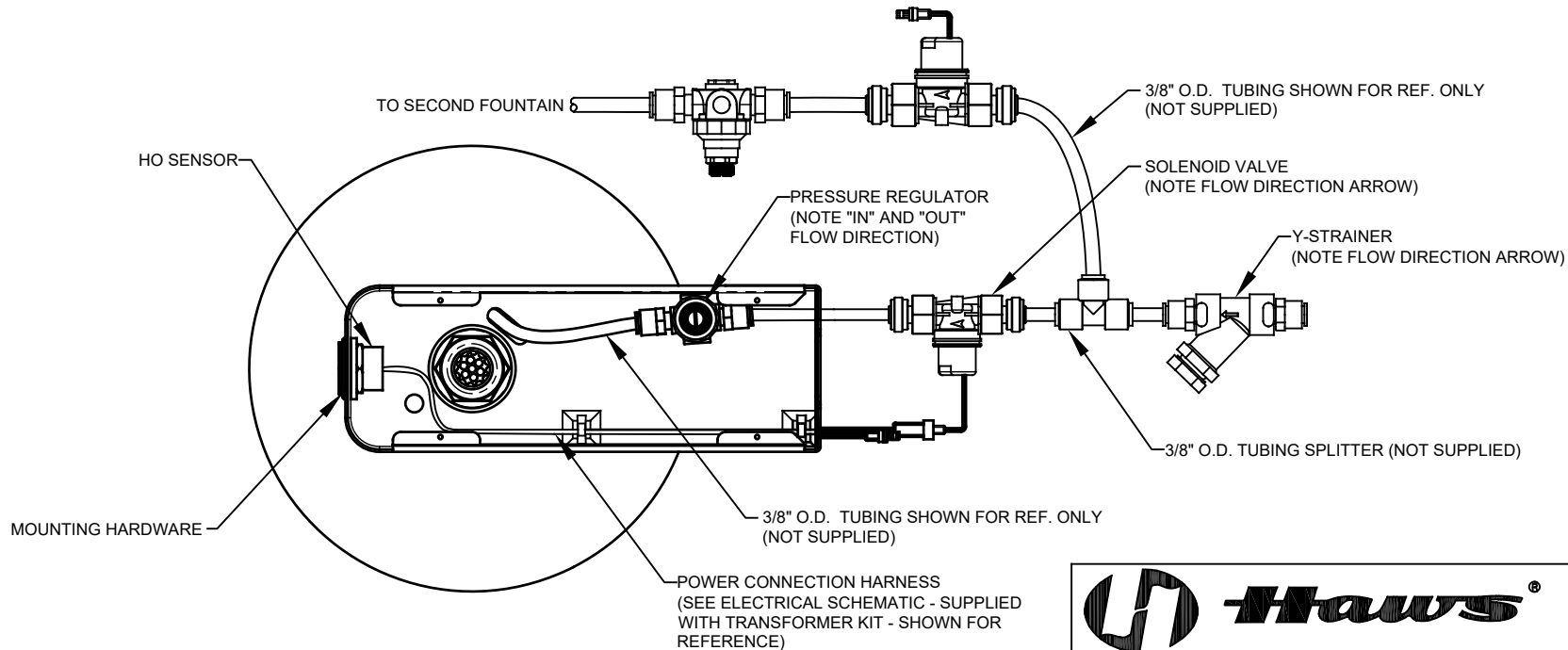
(NOTES CONTINUED ON SHEET 4)



EXAMPLE 1920 BOTTLE FILLER INSTALLATION

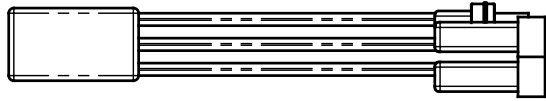


EXAMPLE 1011 FOUNTAIN INSTALLATION

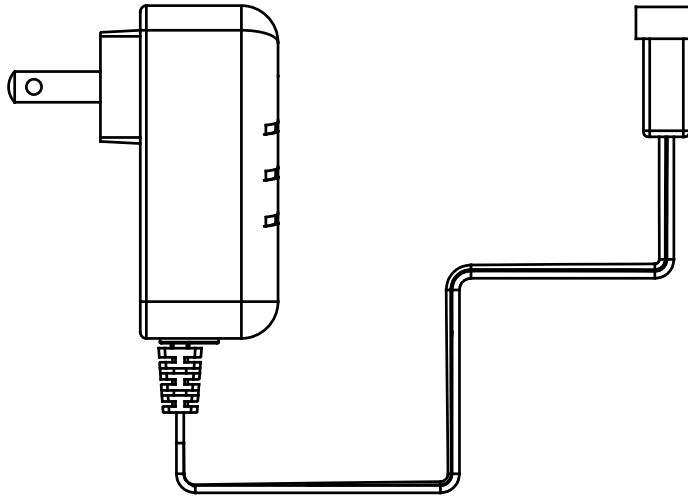


VIEW A - A
(BOTTOM PLATE OMITTED FOR CLARITY)

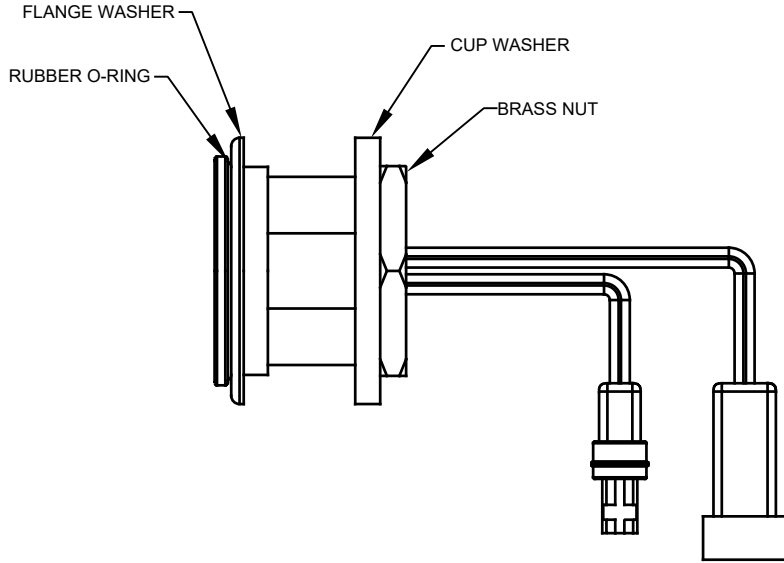
		1455 KLEPPE LANE SPARKS, NEVADA 89431 (775) 359-4712 FAX (775) 359-7424 E-MAIL: HAWS@HAWSCO.COM WEBSITE: WWW.HAWSCO.COM	
		ECN NO. 5649 DRAWN: BJM APPROVED: DP	REVISED PER: ECN: 5705 DATE: 02/10/21 DATE: 06/15/21
PART NUMBER 0580001156.D			REVISION 3
SCALE: N/A		DRAWING TYPE: INSTALLATION	SIZE: A SHEET 1 OF 4



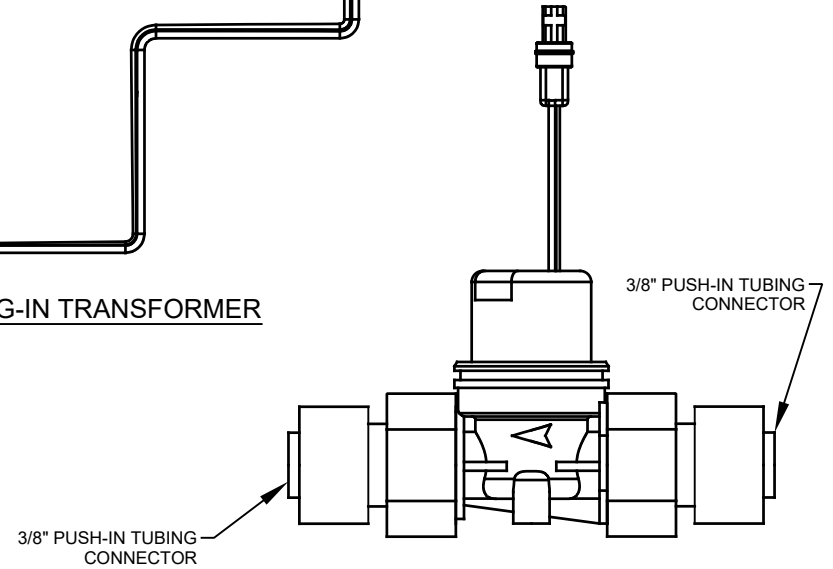
DUAL POWER SPLITTER



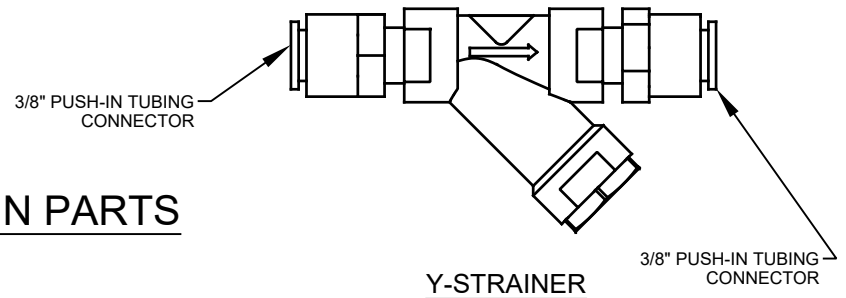
PLUG-IN TRANSFORMER



HO SENSOR ASSEMBLY (2X)

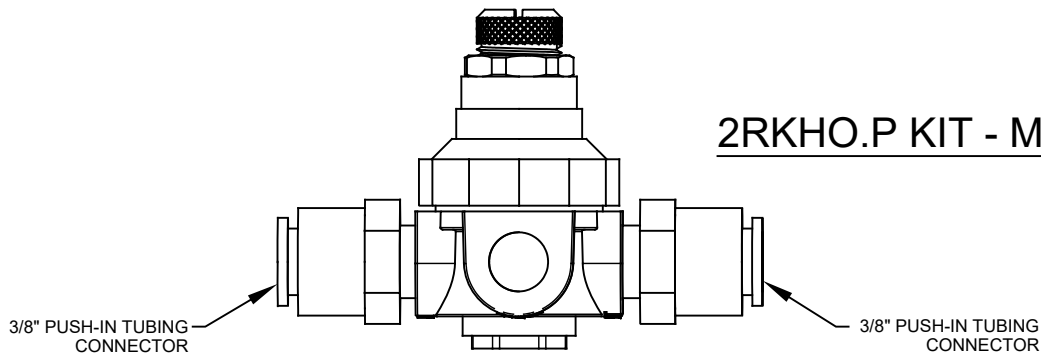


SOLENOID VALVE ASSEMBLY (2X)



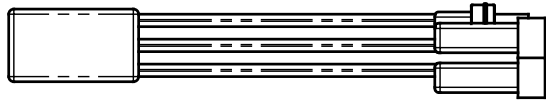
Y-STRAINER

2RKHO.P KIT - MAIN PARTS

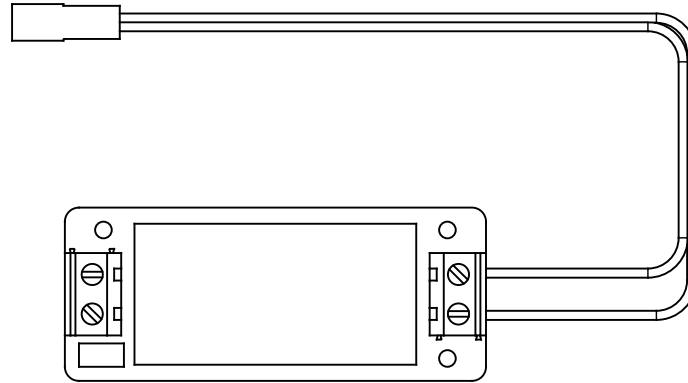


VALVE REGULATOR (2X)

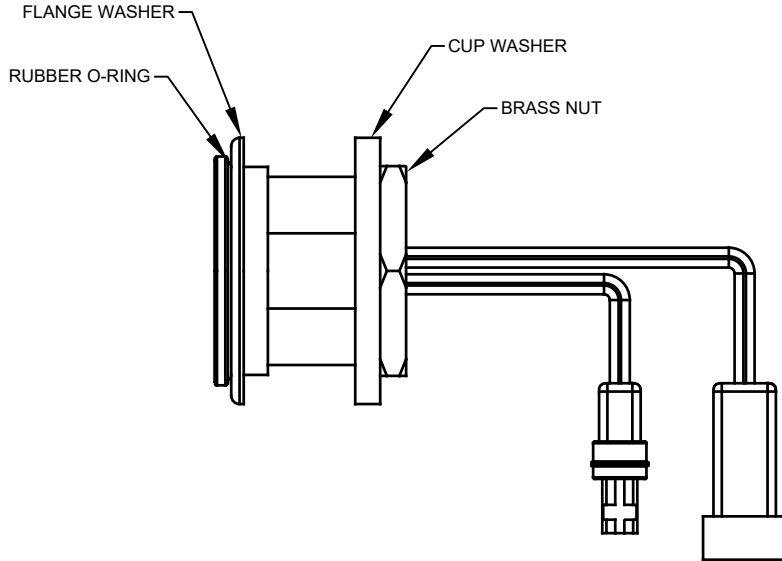
		1455 KLEPPE LANE SPARKS, NEVADA 89431 (775) 359-4712 FAX (775) 359-7424 E-MAIL: HAWS@HAWS.CO.COM WEBSITE: WWW.HAWS.CO.COM	
ECN NO. 5649	REVISED PER ECN: 5705	BY: BJM	MODEL(S) 2RKHO.P / 2RKHO.H
DRAWN: BJM	DATE: 02/10/21	CHKD.: FV	PART NUMBER 0580001156.D
APPROVED: DP	DATE: 06/15/21	SCALE: N/A	REVISION 3
		DRAWING TYPE: INSTALLATION	SHEET 2 OF 4



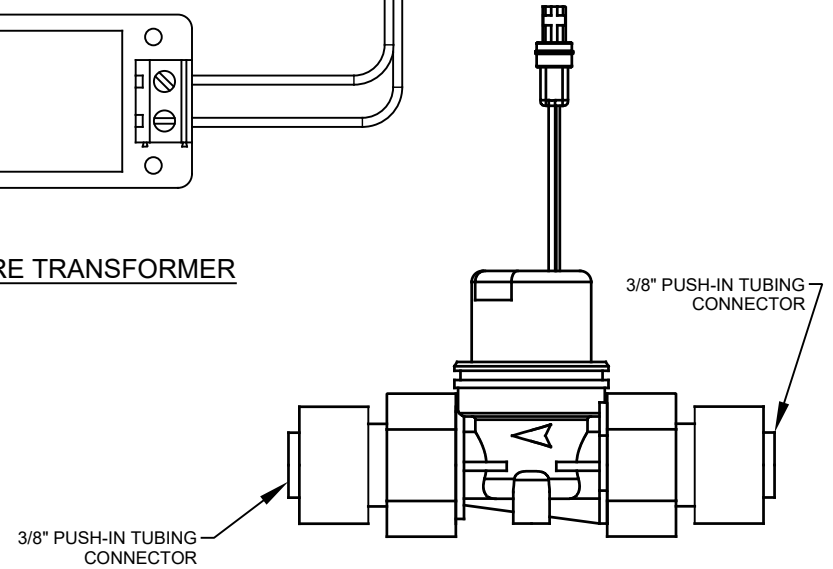
DUAL POWER SPLITTER



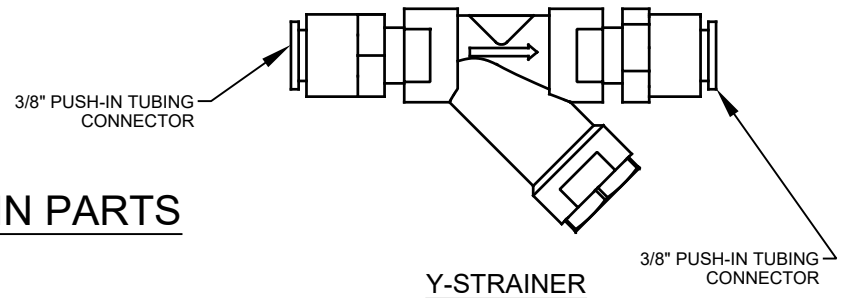
HARDWIRE TRANSFORMER



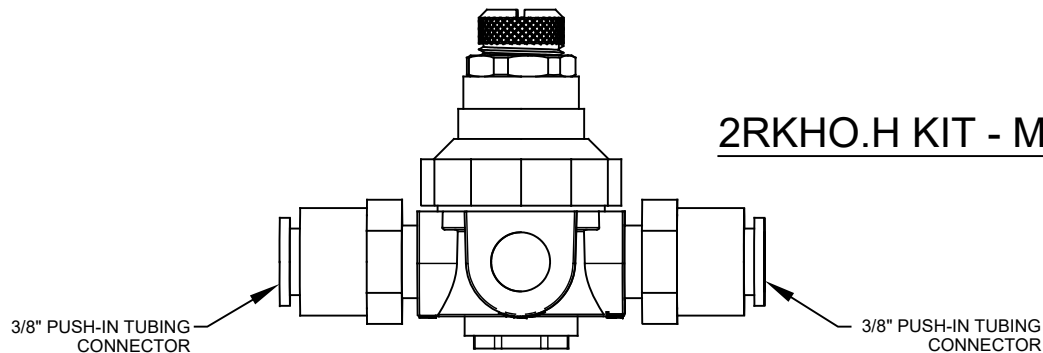
HO SENSOR ASSEMBLY (2X)



SOLENOID VALVE ASSEMBLY (2X)



Y-STRAINER



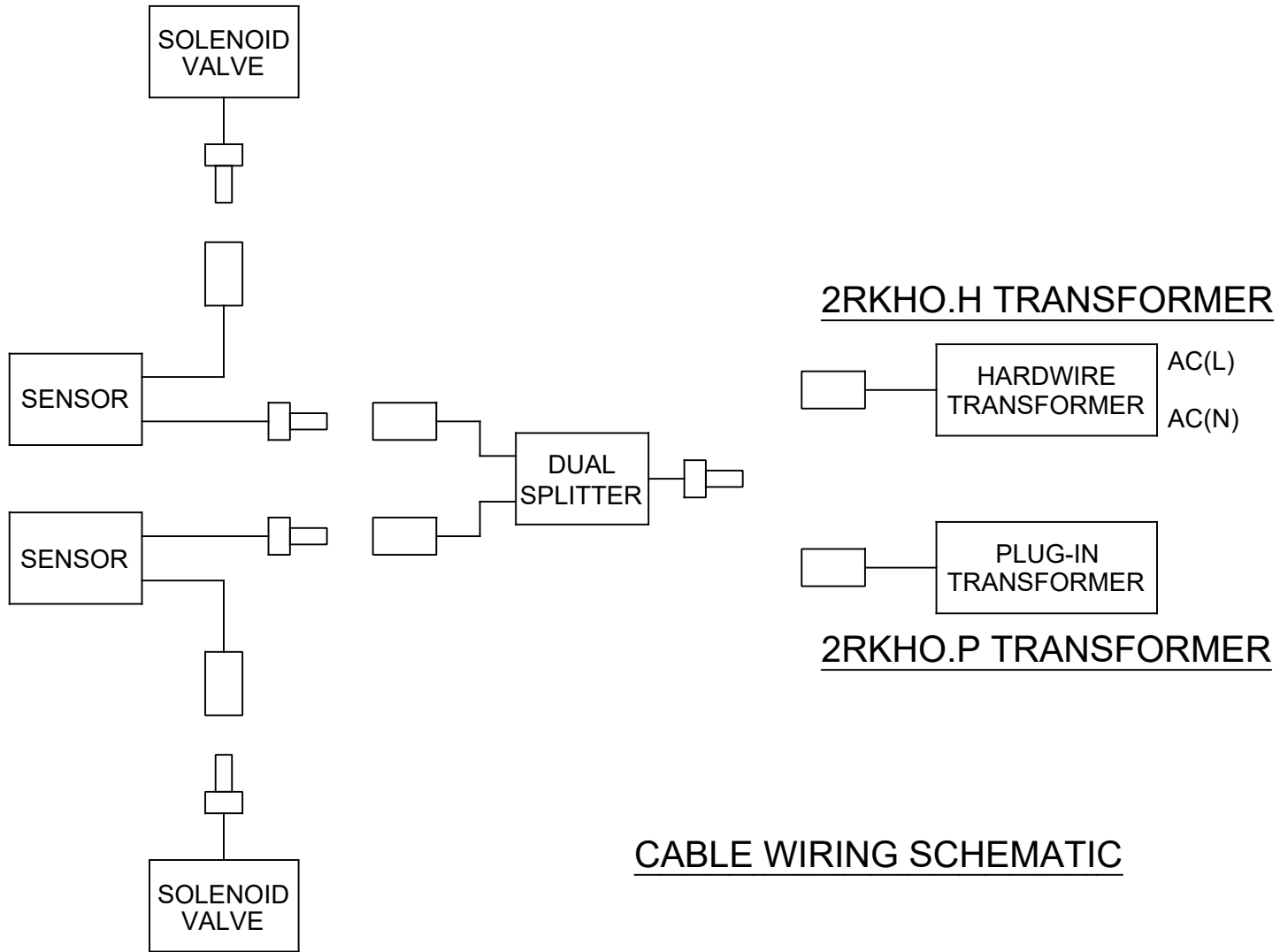
2RKHO.H KIT - MAIN PARTS

VALVE REGULATOR (2X)

		Haws [®]		1455 KLEPPE LANE SPARKS, NEVADA 89431 (775) 359-4712 FAX (775) 359-7424 E-MAIL: HAWS@HAWSCO.COM WEBSITE: WWW.HAWSCO.COM	
ECN NO. 5649	REVISED PER ECN: 5705	BY: BJM	MODEL(S)		PART NUMBER
DRAWN: BJM	DATE: 02/10/21	CHKD.: FV	2RKHO.P / 2RKHO.H		0580001156.D
APPROVED: DP	DATE: 06/15/21		DUAL HANDS-OFF RETRO-FIT KIT		REVISION 3
		SCALE: N/A	DRAWING TYPE:	INSTALLATION	SIZE: A SHEET 3 OF 4

NOTES (CONTINUED FROM SHEET 1):

- 6. 2RKHO.H TRANSFORMER WIRE RANGE: 24-12 AWG
2RKHO.H TRANSFORMER TIGHTENING TORQUE: MAX 0.4 N*m



CABLE WIRING SCHEMATIC

		Haws [®]		1455 KLEPPE LANE SPARKS, NEVADA 89431 (775) 359-4712 FAX (775) 359-7424 E-MAIL: HAWS@HAWS.CO.COM WEBSITE: WWW.HAWS.CO.COM	
ECN NO. 5649	REVISED PER ECN: 5705	BY: BJM	MODEL(S)	PART NUMBER	
DRAWN: BJM	DATE: 02/10/21	CHK'D: FV	2RKHO.P / 2RKHO.H	0580001156.D	
APPROVED: DP	DATE: 06/15/21	SCALE: N/A	DUAL HANDS-OFF RETRO-FIT KIT	REVISION	3
DRAWING TYPE: INSTALLATION			SIZE: A	SHEET 4 OF 4	